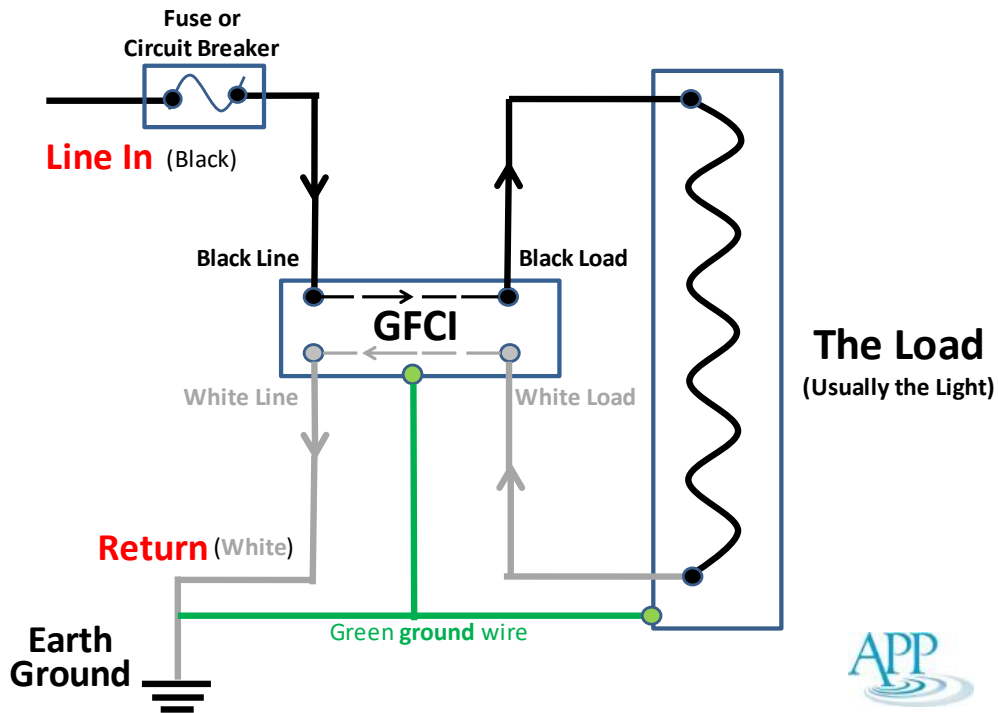


46

### Current Overload



47

### Current Leak